

**SCHOTT**  
Gemtron

***INSTALLATION & SERVICE MANUAL***



**KODIAK<sup>®</sup>**

***Kodiak HD Doors and Frames***

## **Table of Contents**

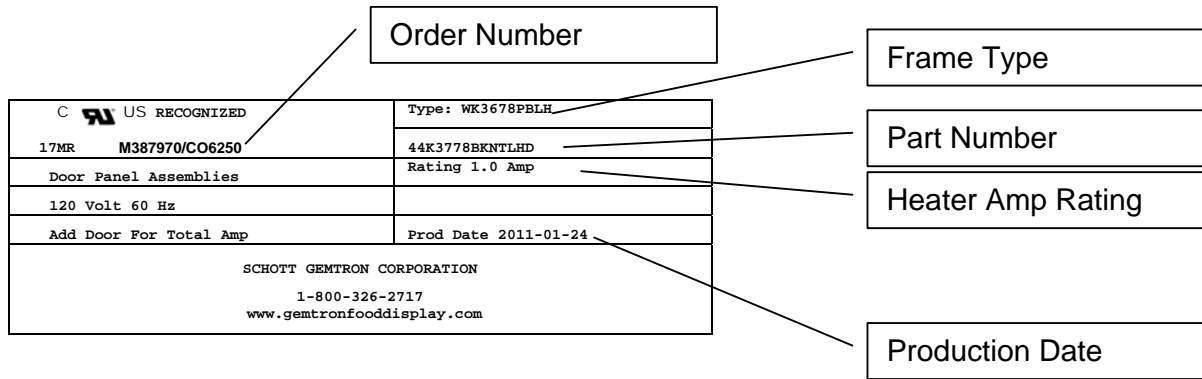
	<b>Page</b>
Serial Plate	2
Warranties	3 - 6
Installing a Kodiak Frame	7
Installing a Kodiak Door	8
Door Closer	9 – 10
Door Closer Clearance	11
Anti Sweat Controller	12
Care & Cleaning	13

### **Schott Gemtron**

2840 Nebo Road  
Madisonville KY 42431  
Phone: 270-821-2864  
[www.gemtrondoors.com](http://www.gemtrondoors.com)

# Serial plate

To assist our customer with technical information or ordering spare parts, frames and doors have a serial plate which informs about Type number, manufacture date, order number and electric ratings.



**Note:**

For NTH models add the frame amps and door amps for total amps.

For technical assistance or parts contact:

**Schott Gemtron**  
 2840 Nebo Road  
 Madisonville KY 42431  
 Phone: 270-824-6678  
[www.gemtrondoors.com](http://www.gemtrondoors.com)



**SCHOTT Gemtron Food Display  
WARRANTIES AND GENERAL TERMS AND CONDITIONS**

**CONDITIONAL ACCEPTANCE OF ORDER:** SCHOTT Gemtron Corporation's ("SCHOTT Gemtron") acceptance of customer's order and therefore, the formation of a valid contract for sale, is EXPRESSLY CONDITIONED on Customer's acceptance of the general terms and conditions as set forth herein and any additional terms and conditions indicated on the face of SCHOTT Gemtron's Conditional Acceptance of Order or quotation. Customer will be deemed to have accepted these general terms and conditions and any general terms and conditions indicated on the face of SCHOTT Gemtron's Conditional Acceptance of Order or quotation unless customer shall object thereto in writing within five days from receipt of SCHOTT Gemtron's Conditional Acceptance of Order or quotation or upon acceptance of all or any parts of the goods ordered, whichever occurs first.

**ADDITIONAL TERMS AND CONDITIONS:** The terms and conditions as set forth on SCHOTT Gemtron's Conditional Acceptance of Order, quotation, or price lists shall be considered additional terms and conditions of this sale. SCHOTT Gemtron and the purchaser acknowledge that all of the terms and conditions applicable to this sale reflect an acceptable allocation of the rights and obligations of the parties to this sale.

**SHIPMENT OF GOODS / RETURN OF GOODS:** Every effort will be made to ship the goods on the scheduled shipment date and to maintain production schedules consistent therewith. SCHOTT Gemtron will not be liable, however, for any claims arising from the failure to meet any scheduled shipping dates. If Buyer refuses shipment of any standard catalog products under an acknowledged order and those products are consistent with that order and are not delivered damaged or defective, then Buyer will be responsible for:

1. Return shipment of the products to SCHOTT Gemtron in original shipping containers;
2. Return freight to SCHOTT Gemtron prepaid by Buyer; and
3. A restocking charge to be determined by SCHOTT Gemtron of not less than twenty-five percent (25%) of the sales price. Buyer assumes the risk of any return shipment damage or loss, the cost of which will be assessed by SCHOTT Gemtron and added to the restocking charge. No custom products or custom sizes of catalog items may be returned to SCHOTT Gemtron for credit unless those products are not consistent with an acknowledged order or they are defective. If they are defective, SCHOTT Gemtron reserves the right to correct the defect at the ship-to location.

**TERMS OF CREDIT:** All credit terms are net 30 days from date of invoice. Any deductions from the net invoice amount must be approved by an authorized representative of SCHOTT Gemtron. If credit is extended to Buyer, SCHOTT Gemtron reserves the right to revoke such credit if Buyer fails to make timely payment for any goods delivered. SCHOTT Gemtron reserves the right to require payment or other assurances which it deems necessary prior to the shipment of any goods, if, in SCHOTT Gemtron's opinion, exercised in SCHOTT Gemtron's subjective, good faith judgment, the Buyer's financial condition has deteriorated or the risk of non-payment has otherwise increased. Credit is subject to approval upon receipt of completed credit application. Any goods shipped prior to credit approval shall be shipped "Cashiers Check", or pre-payment. A \$50.00 charge will be applied for each returned check. Goods may not be returned for credit unless prior authorization and an authorization number have been granted by SCHOTT Gemtron. A 1-1/2% per month charge will be assessed on past due amounts.

**SCHOTT Gemtron Food Display • 2840 Nebo Road, Madisonville, KY 42431**

**Toll Free: 800.326.2717 • Phone: 270.821.2864 • Fax: 270.326.3624**

**FWTC1011**

**Page 1 of 4**

**LIMIT ON REMEDIES IN EVENT OF FAILURE:** In the event any SCHOTT Gemtron product fails to perform as warranted, SCHOTT Gemtron's sole responsibility and PURCHASER'S SOLE AND EXCLUSIVE REMEDY under any warranty, contract, negligence or other claim of liability shall be limited to a refund of SCHOTT Gemtron's original selling price or, at SCHOTT Gemtron's option, furnishing the purchaser with another product without charge F.O.B. Madisonville, Kentucky. In no event shall SCHOTT Gemtron be liable for cost incurred in the removal of failed products, the installation of replacement products, OR ANY INCIDENTAL OR CONSEQUENTIAL DAMAGES INCURRED AS NON-PERSONAL INJURY LOSSES. In the event a product is replaced pursuant to any applicable SCHOTT Gemtron warranty, the replacement product is warranted only for the remainder of the warranty period applicable to the original product. SCHOTT Gemtron shall not be liable for any allegedly defective product unless SCHOTT Gemtron first has the right to inspect such product and verify the defective condition.

**CLAIMS BY BUYER:** All claims by Buyer against SCHOTT Gemtron, including claims for alleged shortages, must be made in writing and delivered to SCHOTT Gemtron within 30 days of receipt of the goods. SCHOTT Gemtron shall thereupon be afforded a reasonable opportunity to inspect the goods. All claims not made in the time period and manner specified above shall be deemed waived. All actions, claims or defenses by Buyer shall be deemed waived unless commenced or asserted within 6 months of receipt of the goods.

**WARRANTY:** The following shall be the sole and exclusive warranty for products sold by SCHOTT Gemtron Food Display with the exception of the SCHOTT Gemtron Food Display Limited Warranty (Form No. W1010): SCHOTT Gemtron warrants to Customer that all Products will conform to and perform in accordance with the applicable current specifications issued by SCHOTT Gemtron. This warranty shall not apply to any Product that shall have been subject to misuse, abuse, accident, disaster, or which has been used contrary to current instructions.

**THE FOREGOING WARRANTIES ARE THE SOLE WARRANTIES, EXPRESS OR IMPLIED, GIVEN BY SCHOTT GEMTRON IN CONNECTION WITH THE PRODUCTS, AND SCHOTT GEMTRON DISCLAIMS ALL OTHER WARRANTIES, INCLUDING WARRANTIES OF MERCHANTABILITY, FITNESS FOR A PARTICULAR PURPOSE AND NON-INFRINGEMENT OF THIRD PARTY RIGHTS.**

SCHOTT Gemtron assumes no liability for consequential damages, anticipated or lost profits, incidental damages, loss of time, or other losses incurred by Customer or any third party in connection with the Products.

**SUITABILITY OF PRODUCTS:** Purchaser shall be solely responsible for determining the suitability for use of the products purchased from SCHOTT Gemtron. Representations by employees or agents of SCHOTT Gemtron (other than the warranties specified herein) concerning the suitability of SCHOTT Gemtron's products are not authorized by SCHOTT Gemtron and may not be relied upon by the purchaser.

**PERMISSIBLE VARIATIONS, STANDARDS AND TOLERANCES:** Except in the particulars specified by purchaser and expressly agreed to in writing by SCHOTT Gemtron, all material shall be produced in accordance with SCHOTT Gemtron's standard practices. All material, including that produced to meet an exact specification, shall be subject to tolerances and variations consistent with usages of the trade and regular factory practices concerning dimension, weight, straightness, section, composition and mechanical properties, normal variations in surface, internal conditions and quality, and deviations from tolerances and variations consistent with practical testing and inspection methods.

**CHANGES IN ORDER:** SCHOTT Gemtron reserves the right to void any quotation for price or terms in the event the customer to whom such quotation is made changes his order with respect to any factor reflected in price or other terms originally ordered or quoted.

**CHANGES BY SCHOTT GEMTRON:** SCHOTT Gemtron reserves the right to change design, colors and specifications of any goods without notice to Buyer.

**DEFAULT:** If Buyer defaults on the purchase of any goods or if a petition in bankruptcy is filed by or against Buyer, SCHOTT Gemtron, in addition to other remedies, may repossess any goods which were previously delivered and for which payment has not been received and may refuse to make further shipment of goods. Buyer agrees to pay SCHOTT Gemtron's costs and expenses of collection or repossession including the maximum attorney's fee permitted by law.

**WE ASSUME NO RESPONSIBILITY FOR BREAKAGE IN TRANSIT:** Breakage on arrival should be noted on Bill of Lading and a claim filed PROMPTLY with carrier.

**PREVAILING PRICE:** Unless specifically indicated otherwise in writing, all orders are deemed to be at the price prevailing at the date of shipment.

**FINAL ACCEPTANCE OF ORDERS:** All orders are subject to final acceptance at SCHOTT Gemtron's office in Madisonville, Kentucky. Conditional acceptance is evidenced by SCHOTT Gemtron's Conditional Acceptance of Order or shipment of the ordered products and final acceptance is effective according to the provisions herein.

**CHANGE OF TERMS:** Prices, terms and conditions of sale are subject to change without notice.

**PRICE QUOTATIONS:** All prices are quoted in U.S. dollars.

**PAYMENT OF TAXES:** Any federal, state or municipal tax imposed by virtue of the sale hereunder shall be added to the invoice and paid by the purchaser without discount.

**FORCE MAJEURE.** Except for the payment of money, neither party shall be held responsible for any delay or failure in performance of any part of this Agreement to the extent that delay or failure is caused by causes beyond its control ("Force Majeure Conditions"), including, but not limited to, fire, flood, explosion, war, strike, embargo, government requirement, civil or military authority, act of God, act or omission of carriers or other similar causes. If any Force Majeure Condition occurs, the party delayed or unable to perform ("Delayed Party") shall give immediate notice to the other party ("Affected Party"), and the Affected Party, upon giving prompt notice to the Delayed Party, shall be excused from performance under this Agreement for the duration of the Force Majeure Condition, provided, however, that the Affected Party shall take all reasonable steps and cooperate with the Delayed Party to avoid or remove the cause of non-performance and shall resume performance hereunder with dispatch when the cause is removed; and provided further that if the Delayed Party cannot within sixty (60) days remove the cause of non-performance, the Affected Party may terminate this Agreement.

**NON-WAIVER:**Waiver by SCHOTT Gemtron of a breach of any of the terms and conditions of this sale shall not be construed as a waiver of any other breach. The mere passage of time shall not constitute a waiver under the terms and provisions of this sale.

**WAREHOUSING:** Prices in our price lists are for quantities ordered for production and shipment at one time. The warehousing charge of 1-1/2% per month will be applied to invoices covering material which has not been picked up or released for shipment within thirty days after notification that the order is ready.

**SCHOTT Gemtron Food Display • 2840 Nebo Road, Madisonville, KY 42431**

**Toll Free: 800.326.2717 • Phone: 270.821.2864 • Fax: 270.326.3624**

**FWTC1011**

**Page 3 of 4**

# SCHOTT Gemtron

**CANCELLATIONS:** Cancellation of any acknowledged order from SCHOTT Gemtron must be approved in writing by SCHOTT Gemtron Food Display in Madisonville, Kentucky. SCHOTT Gemtron shall be entitled to receive, upon demand, liquidated damages of not less than 10 percent (10%) of the purchase price of the order, plus the cost of all materials and work furnished or done upon time of the cancellation by the purchaser.

**SEVERABILITY:** If any provision of the terms and conditions specified herein shall be deemed invalid or unenforceable, the remaining terms and conditions shall be construed as though such provision does not appear herein and shall be otherwise fully enforceable.

**MODIFICATION:** No distributor, representative, agent or employee has the authority to alter or change any product warranty, either orally or in writing.

## Installing a Kodiak Frame

1. Place the frame into the opening. Make sure the frame is square and level. See figure 1. Place a shim if necessary between the frame and wall. **Note:** In order for the door to work properly the frame must be square and level.
2. Remove the bottom hinge plate screws and anchor the hinge bracket to the floor. See figure 2. **Note:** If the floor is not level a shim may be required under the bracket to keep the bracket level with the frame.
3. Install the frame mounting screws to secure the frame to the opening. **Caution:** Do not over tighten the mounting screws. The frame rails could be damaged by over tightening the screws.
4. Seal the back (cold side) of the frame with a bead of silicone caulk to prevent any air leaks.

Figure 1

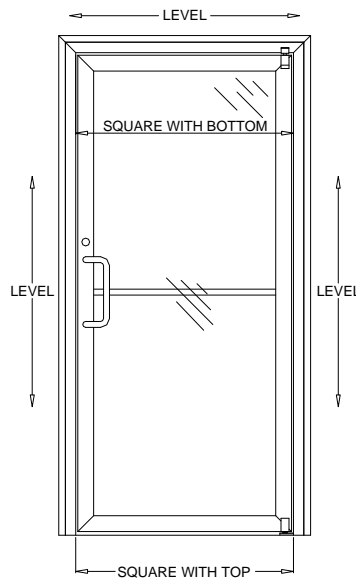


Figure 2



## Installing a Kodiak Door

1. Handling each door carefully, install them into the frame, one at a time by inserting the bottom of the door cavity on to the bottom hinge pin. See Figure 1.
2. Tilt the top of the door up and toward the frame, inserting the spring loaded hinge pin into the top hinge pin cavity, located in the top of the door frame making sure that the spring loaded pin engages into the upper frame rail hinge point. See Figure 2. **Note:** Check for correct top hinge pin engagement. Make sure the pin goes up into the top hinge block. A door that is not correctly installed could result in the door falling out. Shim on the bottom hinge may be required were the floor is not level. See Figure 8
3. Adjust the door swing and door square ness by adjusting the top and bottom hinge points (right to left). There are 2 set screws per hinge point that can be loosened, adjusted and then tightened. See Figure 3 & 4.
4. Insert the door closer arm into the pre-drilled holes for the bracket (top of door frame) using an allen wrench to secure the main arm. See Figure 5 and Note 2.
5. For NTH models install the power whip by plugging it into the hinge side upper frame mounted electrical box and use a Phillips Head screwdriver to secure the mounting screw properly. See Figures 6 & 7.

**Note 1:** Do not use power tools to adjust the hinge pins.

**Note 2:** See the attached Door Closer instructions for proper adjustment. **Caution: Improper adjustment may result in personal injury or property damage. Please follow all instructions carefully.**

1.



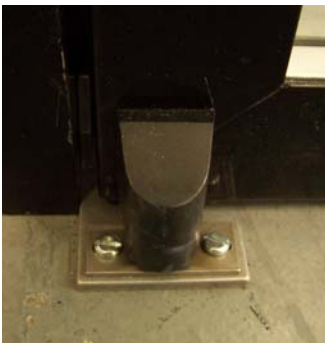
2.



3.



4.



5.



6.



7.



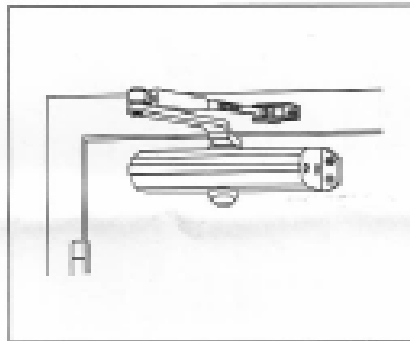
8.



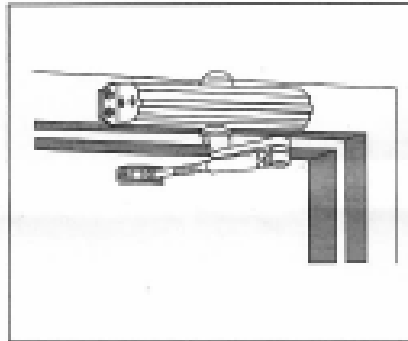
# DC8900 SERIES DOOR CLOSERS INSTALLATION INSTRUCTIONS

Size 1-4

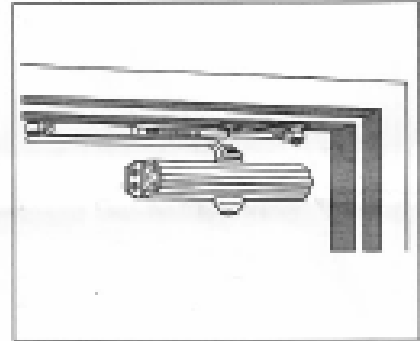
## MOUNTING OPTIONS:



Regular Arm (Pull Side)



Top Jamb (Push Side)

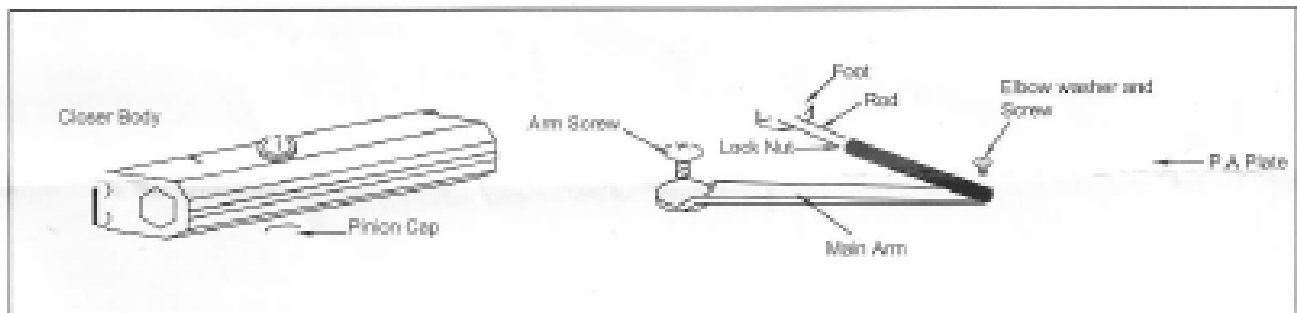


Parallel Arm (Push Side)

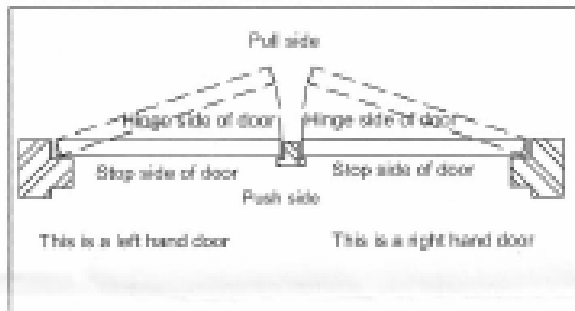


**PLEASE READ THIS INSTRUCTION CAREFULLY BEFORE INSTALLATION; WE WON'T BE RESPONSIBLE FOR ANY RESULTS WHICH ARE CAUSED BY IMPROPER INSTALLATION.**

## SPARE PARTS OF CLOSERS



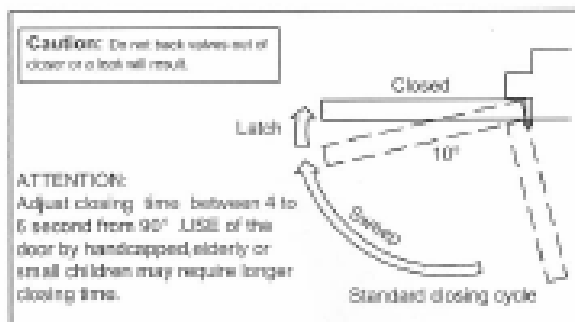
## HOW TO TELL HAND OF DOOR.



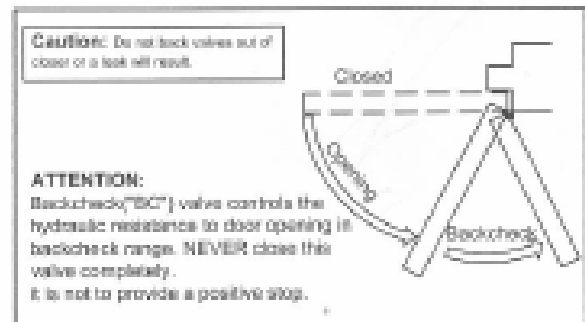
## POWER SIZE SETTING AND DOOR WIDTH

Regular & Top Jamb Closers				Parallel Arm Closers			
Maximum Size of Door							
Closer Size	Interior	Exterior Inswing	Exterior Outswing	Closer Size	Interior	Exterior Outswing	Full 360° Turns
1	28"	—	—	1	—	—	4 Turns C.C.W.
2	30"	—	—	2	30"	—	0 Turn
3	42"	30"	36"	3	36"	30"	4 Turns C.W.
4	48"	36"	42"	4	42"	36"	12 Turns C.W.

## DOOR CLOSING CONTROL

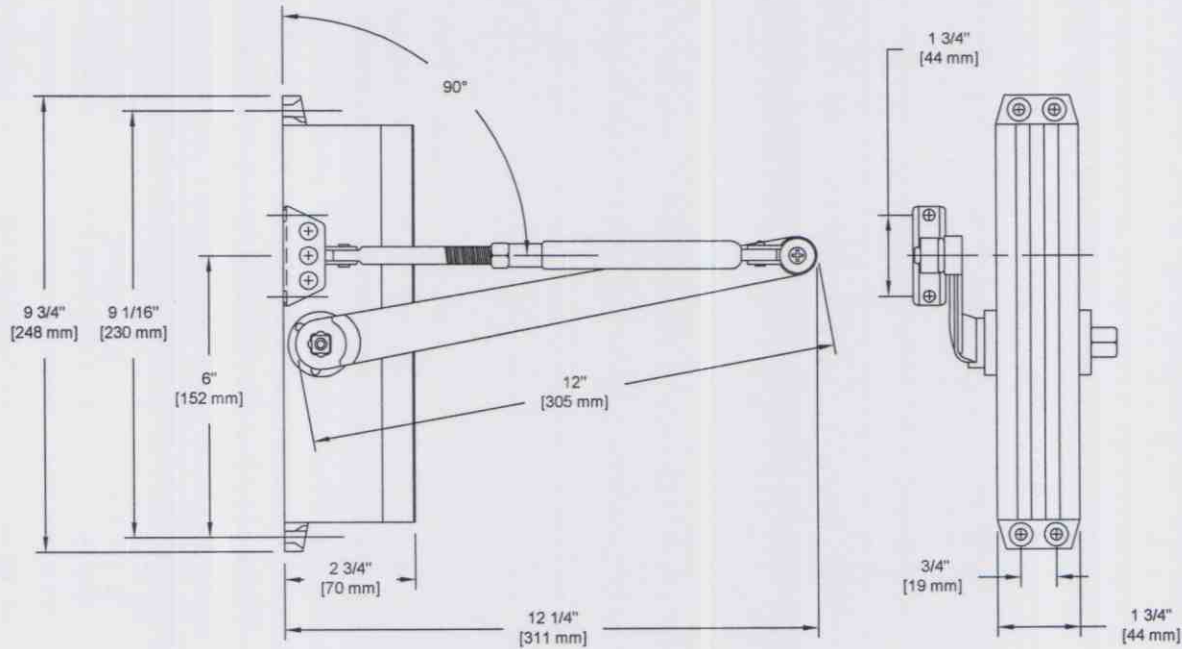


## DOOR OPENING CONTROL



# PRODUCT DATA SHEET

**Product Description:** Universal application, non-handed door closer with a duro bronze finish. Door closer is ANSI A156.3 Grade 1 certified and UL 10C fire rated. Product has a cast aluminum body. Adjustable power size 1-4 that requires less than 5 lbs of force to open. Standard features include: sweep and latching speeds and adjustable backcheck. Tri-packed for regular arm, top jamb and parallel arm application. 10 year limited warranty. ADA compliant. Ships with mounting hardware.



Regular & Top Jamb				Parallel Arm			Applicable Door Weight lbs (kg)
Closer Size	Maximum Size of Door			Closer Size	Interior	Exterior Outswinging	
	Interior	Exterior Inswing	Exterior Outswinging				
1	28" (0.71 m)			1			33-66 (15-30)
2	36" (0.91 m)			2	30" (0.76 m)		66-99 (30-45)
3	42" (1.07 m)	30" (0.76 m)	36" (0.91 m)	3	36" (0.91 m)	30" (0.76 m)	99-143 (45-65)
4	48" (1.22 m)	36" (0.91 m)	42" (1.07 m)	4	42" (1.07 m)	36" (0.91 m)	143-187 (65-85)

**Overall Size:** 9 3/4" W X 1 3/4" H X 12 1/4" D

**Material:** Cast Aluminum

**Finish:** Duro Bronze

### Cross Reference

Manufacturer	Part Number	Manufacturer	Part Number	Manufacturer	Part Number
Global	TC200	Sargent	1130	Jackson	S395
LCN	1071-1075	Yale	51(BF)	Sentinel	S50
Norton	1601 (BF)	Arrow	1000 (BF)	Taco	N-TP200
Dorma	641/651	Cal-Royal	300/700	CRL	PR40
Dor-O-Matic	SC61	International	650/680		



Description:

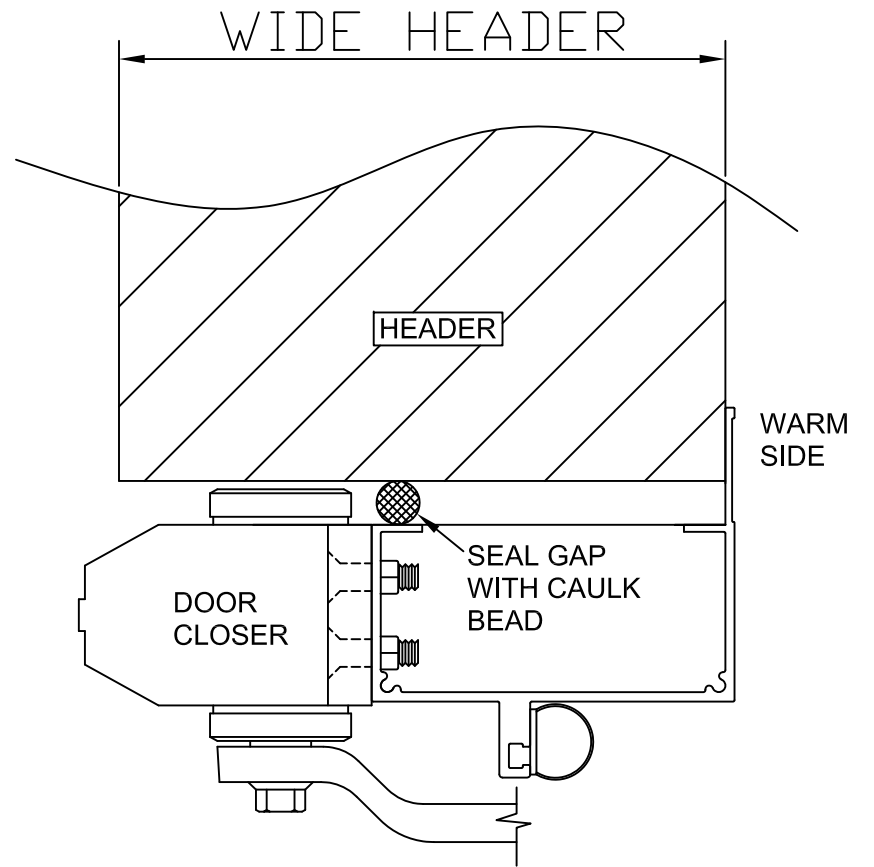
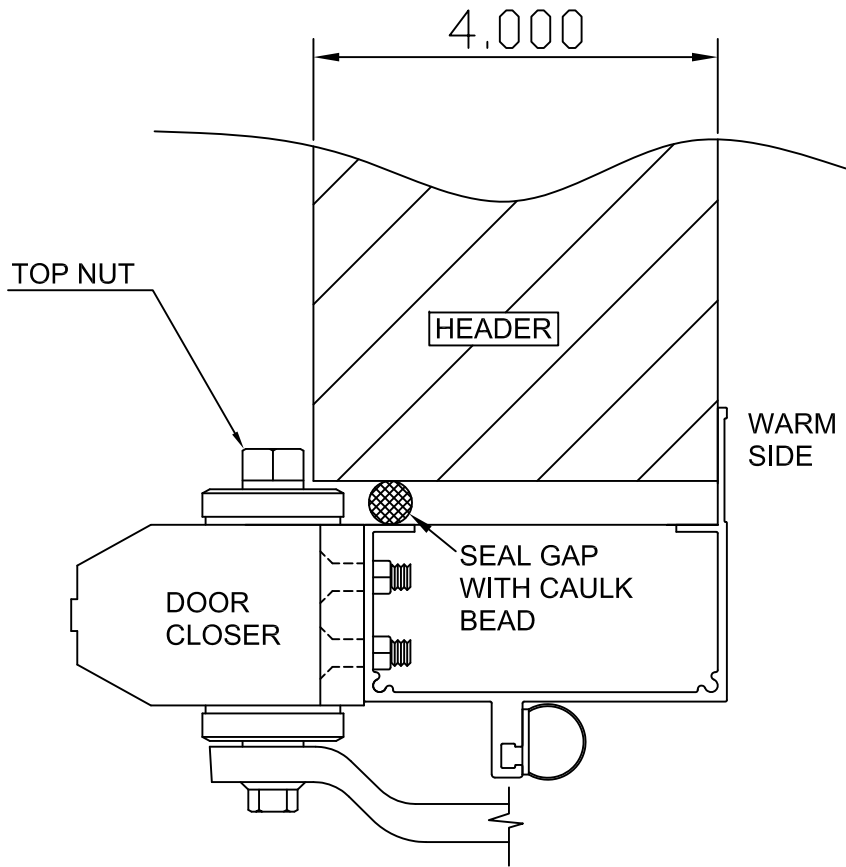
**Door Closer Kit,  
Universal, UL 10C, ANSI  
Grade 1, Spring 1-4**

Part Number:

**DC8900DUK**

10

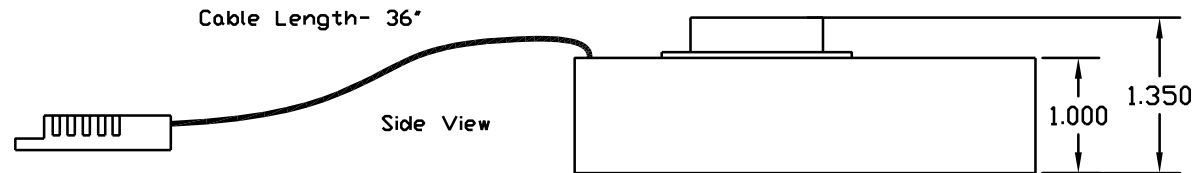
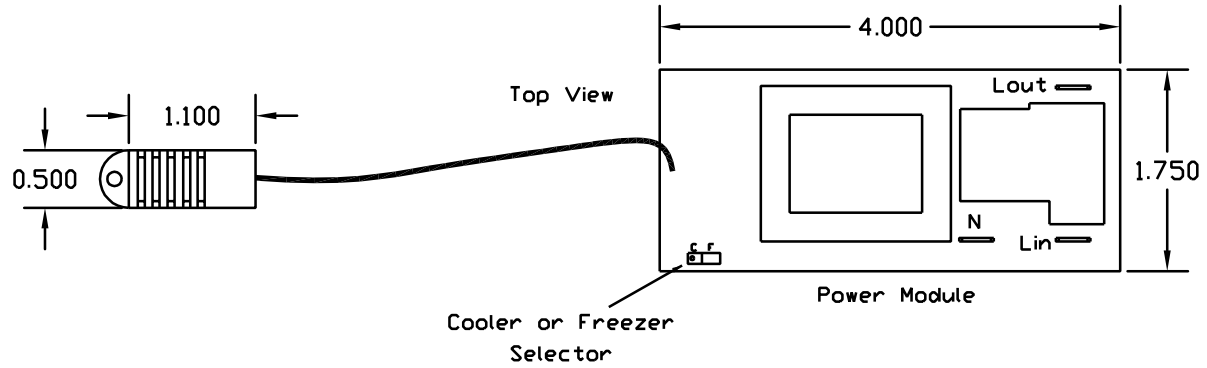




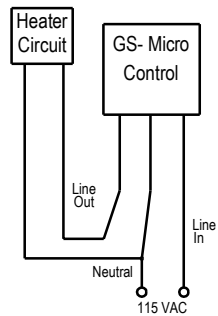
FOR WIDE HEADER APPLICATIONS THE TOP NUT OF THE DOOR CLOSER SHOULD BE REMOVED TO ALLOW FOR CLEARANCE

RH%	Run Time	3 min (180 sec)
50%	72%	on 129 off 51
55%	86%	on 154 off 26
60%	100%	on 180 off 0

## GSM Specifications



### Wiring Diagram



GSM Specifications	
Input Voltage	90-132 VAC
Frequency	50-60 Hz
Max. Load	7 Amps
Heater Run Time	
Freezer-	.03((%RH-10)+30) Minutes (10< %RH >60)
	0 Minutes (%RH < 10), 3 Minutes (%RH > 60)
Cooler-	.03((%RH-35)+30) Minutes (35< %RH >60)
	0 Minutes (%RH < 35), 3 Minutes (%RH > 60)
Humidity Accuracy	+/- 5% @ 25 deg C
Heater Cycle Time	3 Minutes
Timing Accuracy	+/- 5% @ 25 deg C

Part Number  
44GS-MIRCO

## **Care & Cleaning: Schott Gemtron Doors and Frames**

### **Cleaning—Inside**

The interiors of doors and frames should be cleaned at least once a year. Unplug the doors and frames before cleaning. If this is not practical, wring excess moisture out of sponge or cloth when cleaning around switches, lights, and controls.

Use a warm water and baking soda solution—about a tablespoon (15 ml) of baking soda to a quart (1 L) of water. This both cleans and neutralizes odors. Rinse thoroughly with water and wipe dry.

When cleaning other parts of the doors and frames—including gaskets and all plastic parts—use the same solution. After cleaning door gaskets, apply a thin layer of petroleum jelly to the door gaskets at the hinge side. This helps to keep the gaskets from sticking and bending out of shape. Do not use cleansing powders or other abrasive cleaners.

### **Cleaning—Outside**

The exteriors of doors and frames can be cleaned with a cloth dampened with a solution of mild liquid dishwashing detergent and water. Dry with a soft cloth.

Use a household wax, such as Pledge brand or Jubilee brand, to coat the handles. Soil will then easily wash off with dish detergent and water or a non-abrasive all-purpose cleaner. Glass can be cleaned with off-the-shelf glass cleaner.

Do not use scouring pads, powdered cleansers, bleach, or cleaners containing bleach because these products can scratch and weaken the finish.

This equipment is intended for the storage and display of packaged product only.

#### Gemtron ANTI-FOG/ANTI-FROST

### **COATED GLASS RECOMMENDED CLEANING**

Gemtron's Anti-Fog/Anti-Frost coating can sometimes become contaminated which degrades the Anti-Fog performance. The result can be splotchy areas of fog or frost. Even certain cleaners can leave a residue that blocks the Anti-Fog performance. The solution is to clean the undesirable residue off of the coating. The best products for cleaning the Anti-Fog coating are degreasers. The preferred degreasing cleaner is "Greased Lightning".

Recommended cleaning procedures for Gemtron Anti-Fog/Anti-Frost coating:

#### **Don'ts**

- Do not use sealants, gaskets, or other materials containing silicone that can contaminate the coating.
- Do not use tape, glue, stickers, attachments, or magic markers on the anti-fog coating.
- Do not use razor blades or any other mechanical device to remove foreign residue or objects directly from the coated glass.
- Do not use abrasive cleaners or materials on the coated glass. Examples of these cleaners or materials include Ajax, Brillo, Comet, Scotch Brite, Steel Wool, and Soft Scrub.
- Do not use cleaners or materials on the coated glass that hinder the anti-fog performance by leaving residue or damaging the surface. Examples of these cleaners include: Armor All, Tilex, Bleach, Windex No-Drip, Windex Wipes, Pledge, or any product containing silicone oils or waxes.

#### **Do's**

- Recommended cleaners include: Greased Lightning, Formula 409 Grease & Grime, Formula 409 Grease & Surface, Fantastic, Mr. Clean, Windex Vinegar, Windex Original, Now, or Mean Green (degreasing cleaners). Isopropyl alcohol and acetone are also good degreasing cleaners. If you have any question about the use of a particular cleaner, please contact AFG.
- Recommended cleaning is with a soft dry or slightly damp towel, or with one of the degreasing cleaners listed above.

**Schott Gemtron • 2840 Nebo Road, Madisonville, KY 42431 • Toll-Free: 800.326.2717 • Phone: 270.821.2864 •  
Fax: 270.326.3624**

**E-mail: [info@gemtrondoors.com](mailto:info@gemtrondoors.com) • [www.gemtrondoors.com](http://www.gemtrondoors.com)**